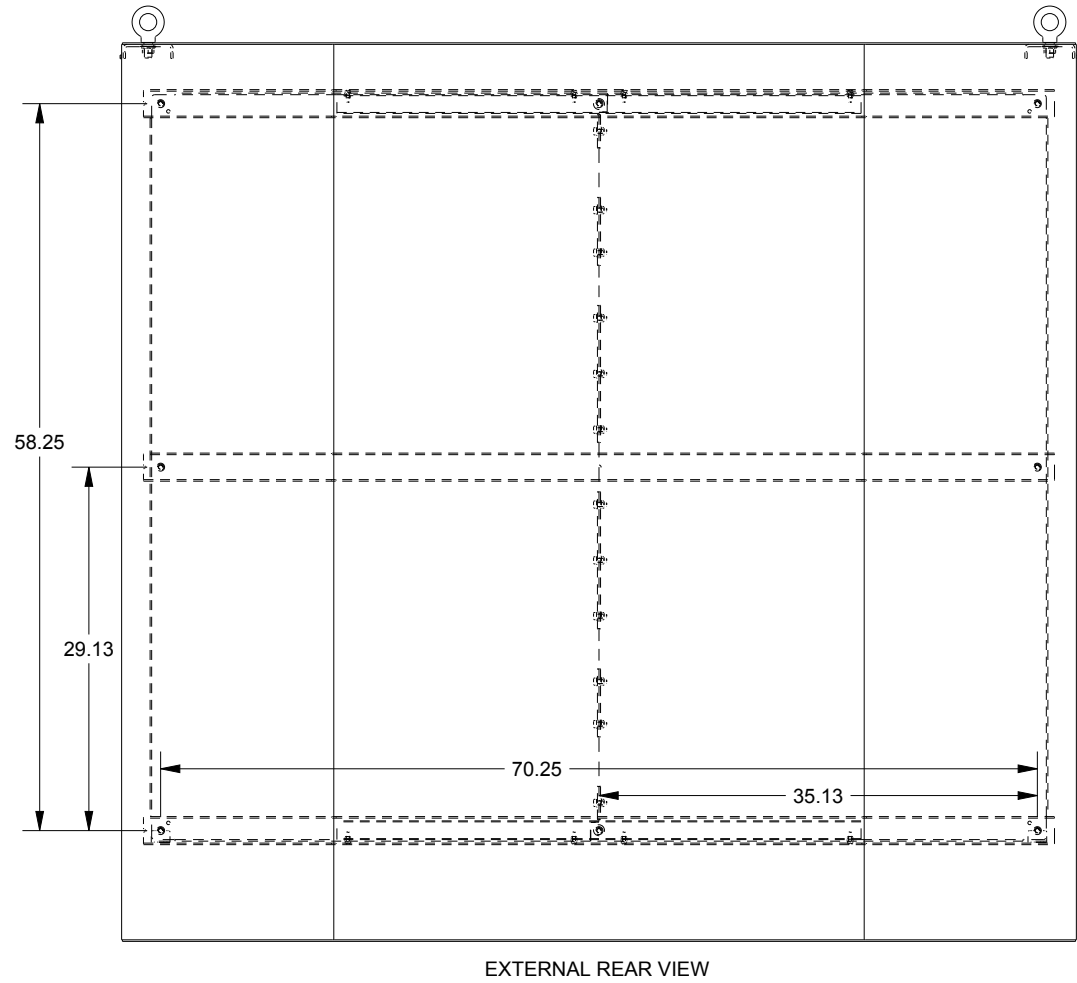
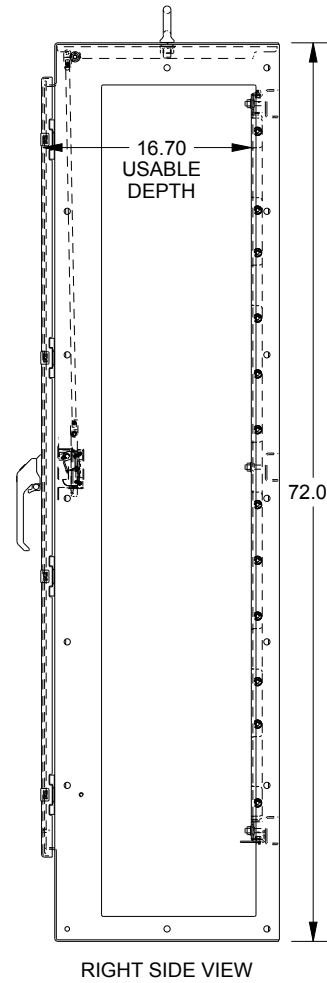
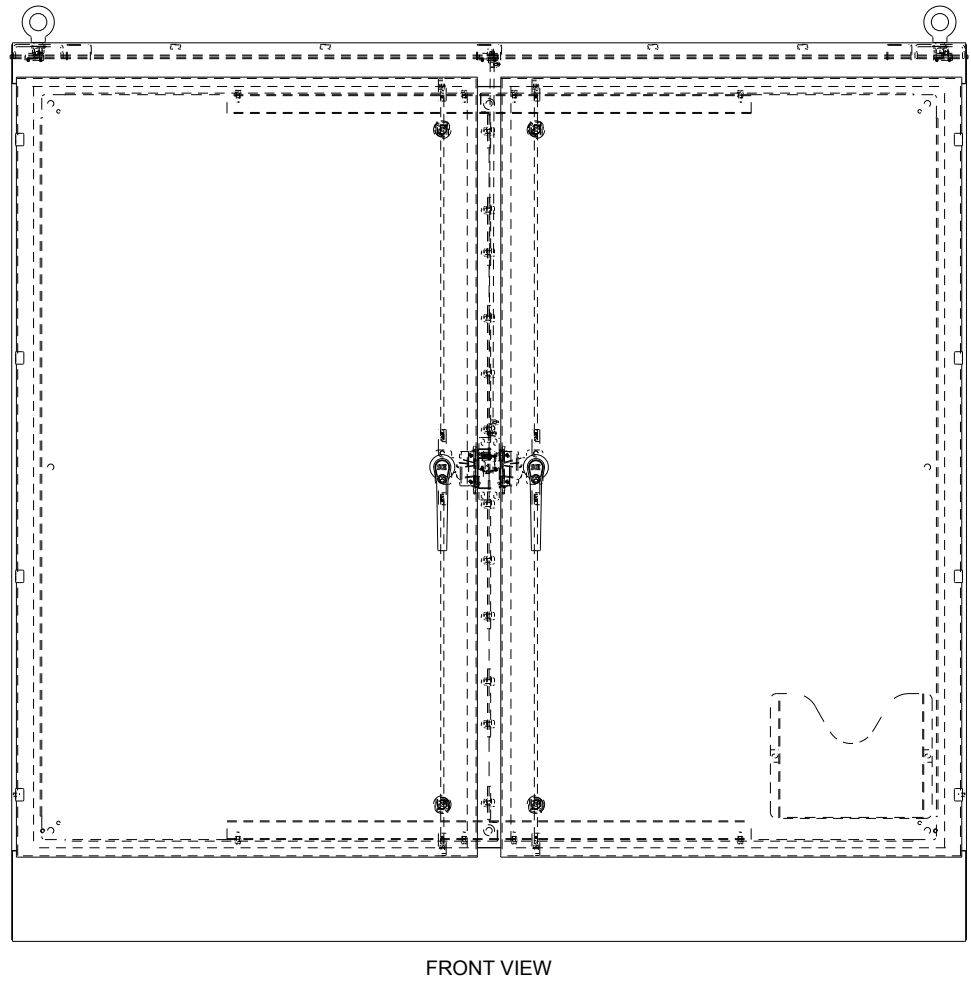
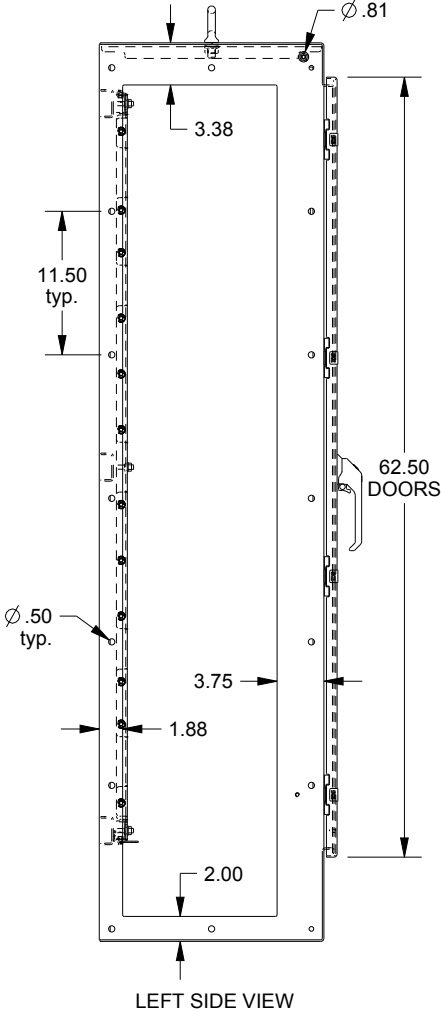
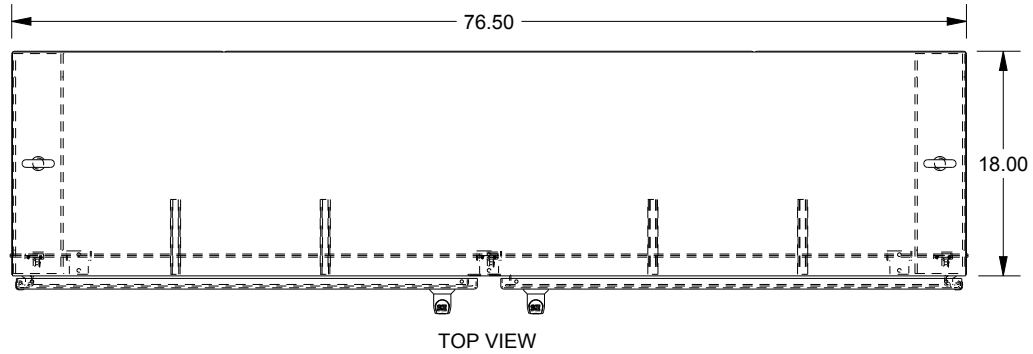


SAGINAW CONTROL & ENGINEERING

SCE-MOD727718G



WASH SYSTEM 2" SQUARE DRAIN HOLES IN THE BOTTOM WITH UL APPROVED HOLE SEALS PROVIDED

